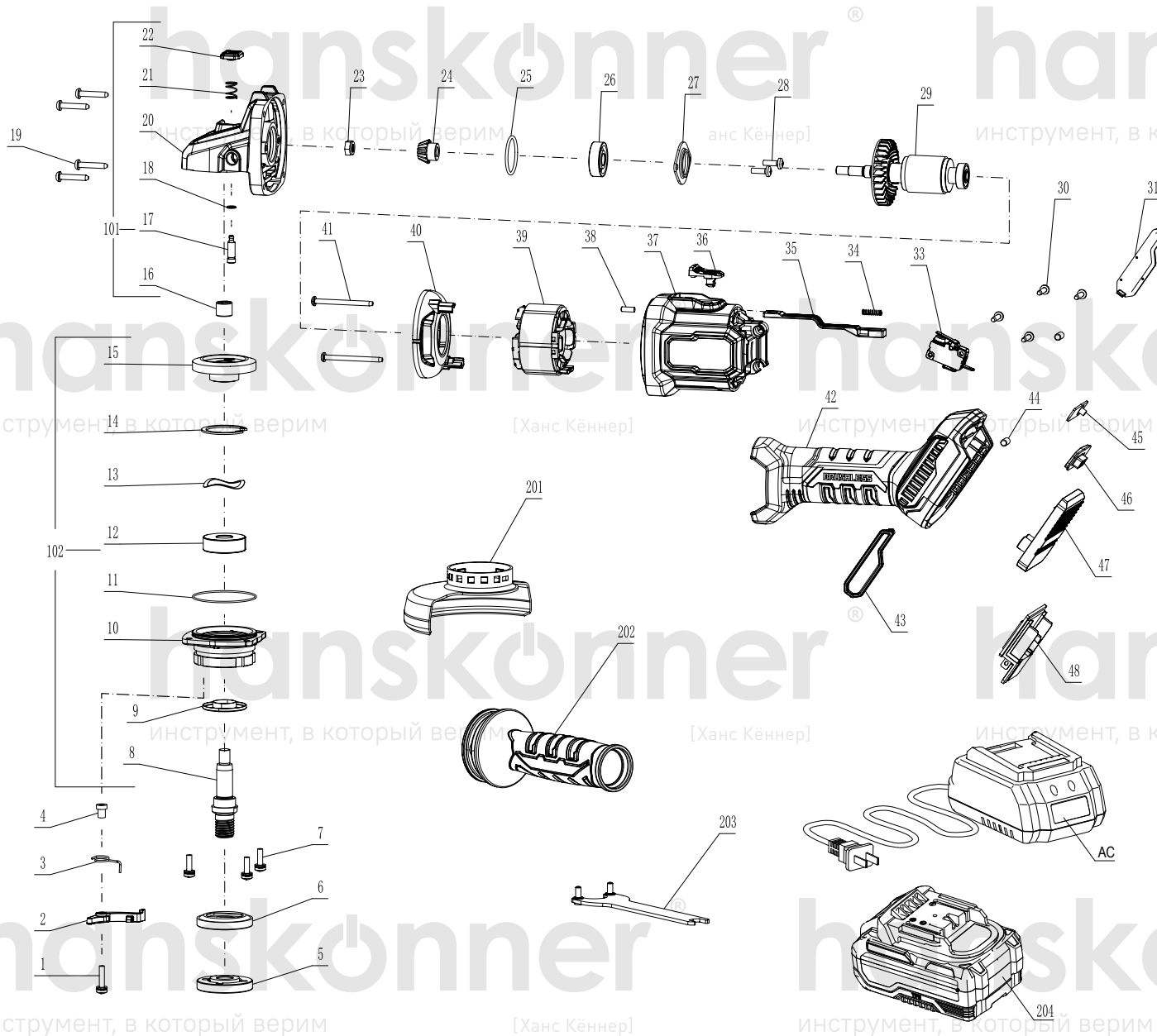


HAG18125



NO.	DESCRIPTION
1	SCREW M4×22
2	WHEEL GUARD LOCK
3	TORSIONAL SPRING
4	STEEL SLEEVE
5	OUTTER FLANGE
6	INNER FLANGE
7	SCREW M4X14
101	GEAR BOX SET
8	SPINDLE
9	DUSTPROOF COVER
10	FRONT COVER
11	O RING
12	BEARING 6201
13	WAVEFORM GASKET
14	CIRCLIP FOR HOLE
15	BIG GEAR
102	FRONT COVER SET
16	NEEDLE BEARING HK0810
17	SELF-LOCKING PIN
18	O RING
19	SCREW ST4X22
20	GEAR BOX
21	SELFLOCKING SPRING
22	SELFLOCKING BOTTON
23	NUT M6
24	PINION
25	O RING
26	BEARING 629
27	BEARING CLAMP
28	SCREW M4×12
29	ROTOR
30	SCREW ST3.5X16
31	RIGHT DUST SHIELD
33	SIGAL SWITCH
34	SWITCH RESET SPRING
35	PUSHING ROD
36	PUSH BUTTON
37	HOUSING
38	RUBBER COLUMN
39	STATOR
40	AIR DIRECTOR
41	SCREW ST3.5X45
42	HANDLE
43	LEFT DUSTPROOF SHIELD
44	RUBBER COLUMN
45	SPEED CONTROL LABEL
46	COVER PLATE
47	PCB CONTROLLER
48	CONNECT BASE
201	WHEEL GUARD
202	SIDE HANDLE
203	WRENCH
204	BATTERY PACK
AC	CHARGER

HAG18125-EX-RU250603